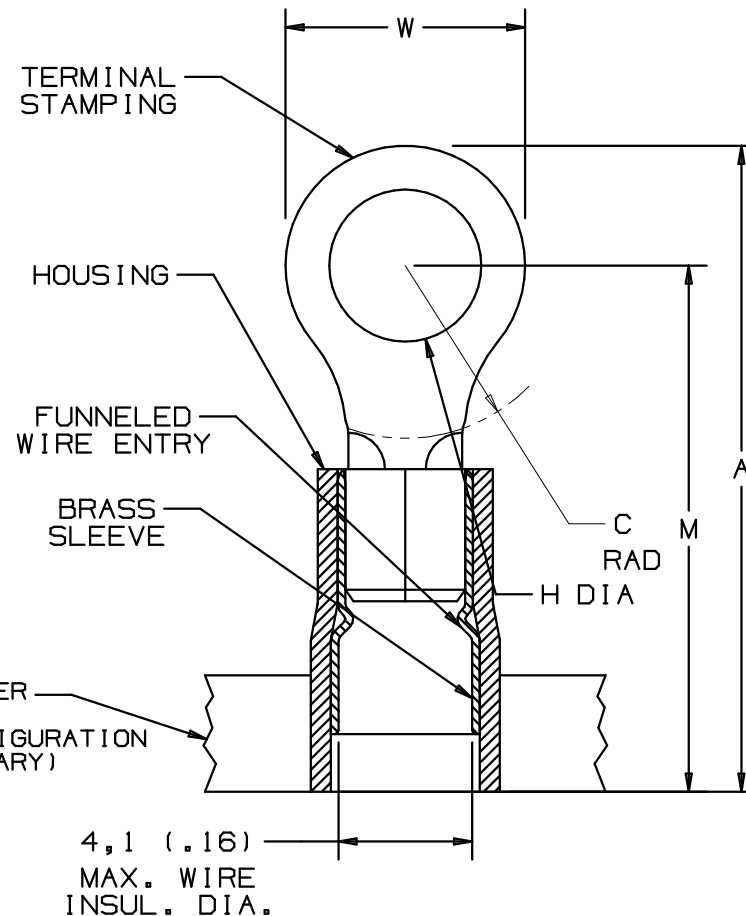


PART NUMBER	STUD SIZE	WIRE RANGE mm ² (AWG)	DIMENSIONS mm				
			A ± .08 (.03)	W ± .25 (.01)	C ± .38 (.01)	M ± .50 (.02)	H ± .50 (.02)
PMNF2-3R-3K	M3	1,5-2,5 (16-14)	19,4 (.76)	5,8 (.23)	5,1 (.20)	16,5 (.65)	3,3 (.13)
PMNF2-35R-3K	M3,5	1,5-2,5 (16-14)	19,4 (.76)	5,8 (.23)	5,1 (.20)	16,5 (.65)	3,8 (.15)
PMNF2-4R-3K	M4	1,5-2,5 (16-14)	21,8 (.86)	7,9 (.31)	6,5 (.26)	18,0 (.71)	4,6 (.18)
PMNF2-5R-3K	M5	1,5-2,5 (16-14)	22,4 (.88)	8,9 (.35)	6,5 (.26)	18,0 (.71)	5,3 (.21)
PMNF2-6R-3K	M6	1,5-2,5 (16-14)	26,5 (1.04)	10,9 (.43)	9,7 (.38)	21,3 (.84)	6,9 (.27)

NOTES:

- USED FOR:
 - 600V MAX. BUILDING WIRE
1000V MAX. IN SIGNS, FIXTURES, AND LUMINAIRES
 - 105°C (221°F) MAX. TEMP. RATING OF INSUL. MAT'L.
 - STRANDED COPPER WIRE ONLY
- PACKAGE QTY:
3K = 3000 PCS. ON CONTINUOUSLY MOLDED CARRIER STRIP
- MATERIAL:
 - STAMPING: .81 (.03)THK. COPPER, TIN PLATED
 - SLEEVE: BRASS, TIN PLATED
 - HOUSING: TYPE 6/6 NYLON, BLUE
- WIRE STRIP LENGTH: $6,4^{+,8}_{-0}$ ($1/4^{+1/32}_{-0}$)
- DIMENSIONS IN BRACKETS ARE IN INCHES OR AWG
- UL LISTED AND CSA CERTIFIED WITH COPPER 16-14AWG WIRE ONLY



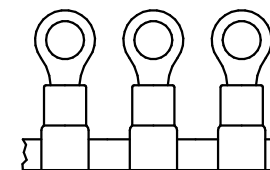
		PANDUIT PRESS					
		CP-851 <i>DISCONTINUED</i>	CP-860 <i>DISCONTINUED</i>	CP-861	CP-862	CP-871 60HZ	CP-871/E 50HZ
APPLICATORS	CA-800		X	X			
	CA-800EZ	X				X	X
	CAS				X	X	X



LISTED
587H
E52164



CERTIFIED
LR31212



A41602_01

PANDUIT CORP.

TINLEY PARK, ILLINOIS

01	3/06	DAW	DAW	ADDED DMNF2-35R-3K AND PANDUIT PRESS AND APPLICATOR CHART	TR00083						
00	9/97	TM		RELEASED	6191	LCA	DBH				
REV	DATE	BY	CHK	DESCRIPTION	ECN #	CUST	PM	DRAWN BY	CHK'D	SCALE	DRAWING NO.
								T SMA		NONE	A41602

1,5-2,5 mm² METRIC CONTINUOUSLY MOLDED, NYLON INSULATED, FUNNEL ENTRY RING TERMINAL